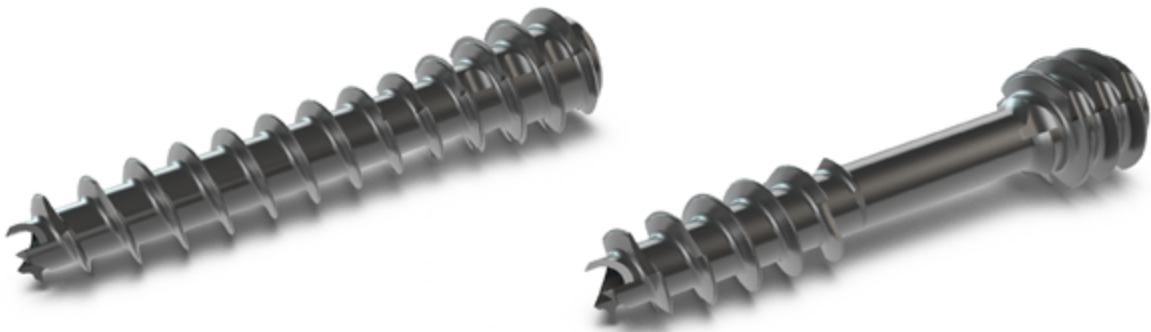


I.B.S.TM

COMPRESSION SCREW / NEUTRALIZATION SCREW
DIAMETER: 2.0 - 2.5 - 3.0 - 3.5 MM



The design of the I.B.S.TM screw by In2Bones[®] is optimized to distribute the compression effort, maximize and facilitate the osteosynthesis.

The I.B.S.TM compression and neutralization screws are cannulated, self-drilling and selftapping.

As from 2.5mm, a neutralization version fully threaded of the I.B.S.TM screw is also available.

The I.B.S.TM screws are proposed with the single use instruments range Neosys[®].

Made in titanium alloy Ti6Al4V, all the screws are delivered sterile.

I.B.S.™

PRODUCT DESCRIPTION



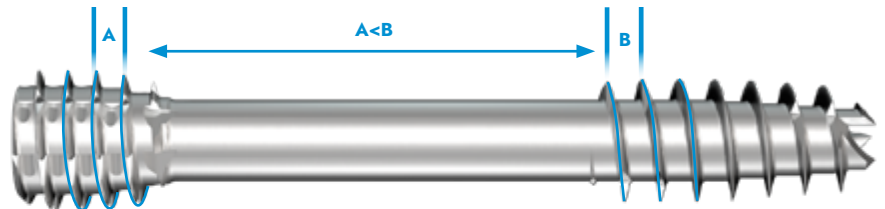
Torx imprint

- The I.B.S.™ screw range is designed with a Torx imprint.
- The « star » shape supports a higher torque without degradation of the imprint.
- Self-retaining I.B.S.™ Compression and Neutralization screw are fail-safe.



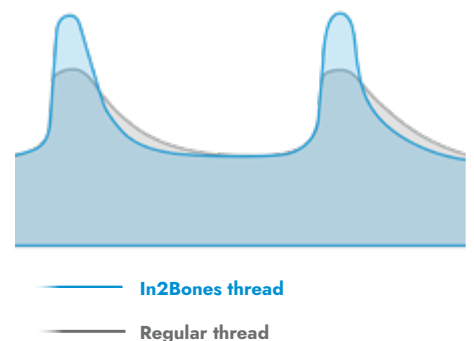
Compression

- Differential pitch of head and shaft threads.



Thread

- I.B.S.™ threads design
 - offers approximately 40% more contact area than standard threads.
 - allows optimal penetration in cortical bones and a enhanced grip.

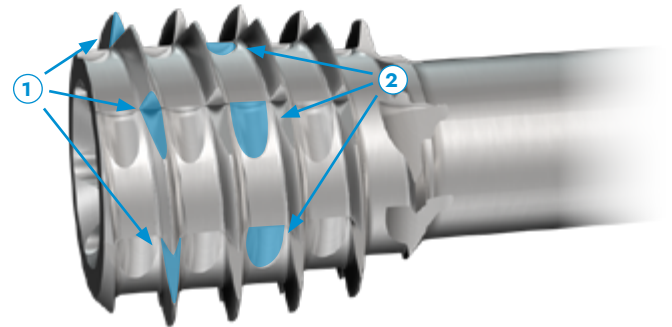


I.B.S.™ compression and neutralization screw range is headless

- The head of the screw is countersunk into cortical bone to increase compression and reduce soft-tissue impingement

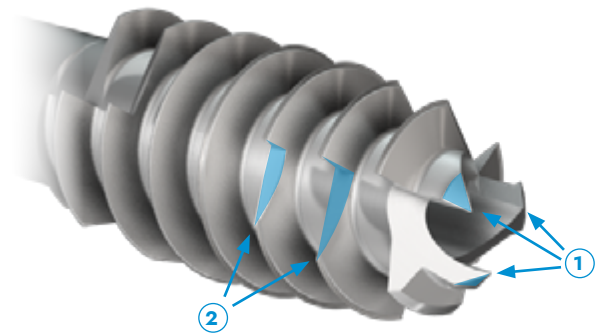
Head is self-tapping and self-drilling

- Self-drilling and self-tapping cutting flutes ① facilitate countersink of the screw head.
- Inter-thread notches ② in the screw head reduce the risk of stress fracture during the final insertion phase (Patented).



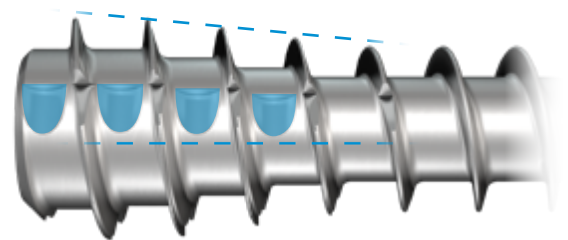
Self-drilling

- Compression and Neutralization screws are self-drilling and self-tapping.
- 3 cutting edges with specific angulation to guarantee self drilling performance ①
- Distal cutting flutes facilitate the screw insertion ②



Proximal thread for neutralization screw

- The I.B.S.™ neutralization screw conical head profile allows to feel tightening at the end of the race.
- Self-drilling performance of screw head is reinforced by inter-thread gorges which reduce the risk of re-splits during the final tightening.



Product name	Screw diameter	Color code	Screw type	Screw imprint	Length	Kwire diam.	Drill diam. (Optional)
I.B.S.™ 2.0	2.0mm	Black	Compression screw (C)	Torx 7	10 > 30mm* 1mm incremental	0.8mm	1.6mm
I.B.S.™ 2.5	2.5mm	Green	Compression screw (C) Neutralization screw (N)	Torx 7	12 > 28mm 2mm incremental	0.8mm	1.6mm
I.B.S.™ 3.0	3.0mm	Blue	Compression screw (C) Neutralization screw (N)	Torx 8	12 > 34mm 2mm incremental	1.0mm	2.2mm
I.B.S.™ 3.5	3.5mm	Red	Compression screw (C) Neutralization screw (N)	Torx 8	16 > 40mm 2mm incremental	1.0mm	2.2mm

* Odd length are only available in some countries

Single use instruments range - Neosys®

The Neosys® single use instrument sets range is specially designed to implant:

- 2.0, 2.5, 3.0 and 3.5mm compression screws,
- 2.5, 3.0 and 3.5mm neutralization screws,
- 2.2 and 2.7mm snap-off screws,

For further information about the Neosys® single use instrument sets, please refer to the dedicated brochure.

Kwire and drills are available in the Neosys® single use instrument range.

In2Bones® Single use instruments are in recyclable polymer. It has been specially designed to be single use while guaranteeing efficiency and optimal comfort for the practitioner.

The design of instruments guarantees precision and resistance to torsional stresses. Connection tips with implants are in stainless steel ① grade 1 to insure on one hand the appropriate torque and on the other hand implants grip.

Screwdriver axes are cannulated ② with an open window to allow kwire extraction.

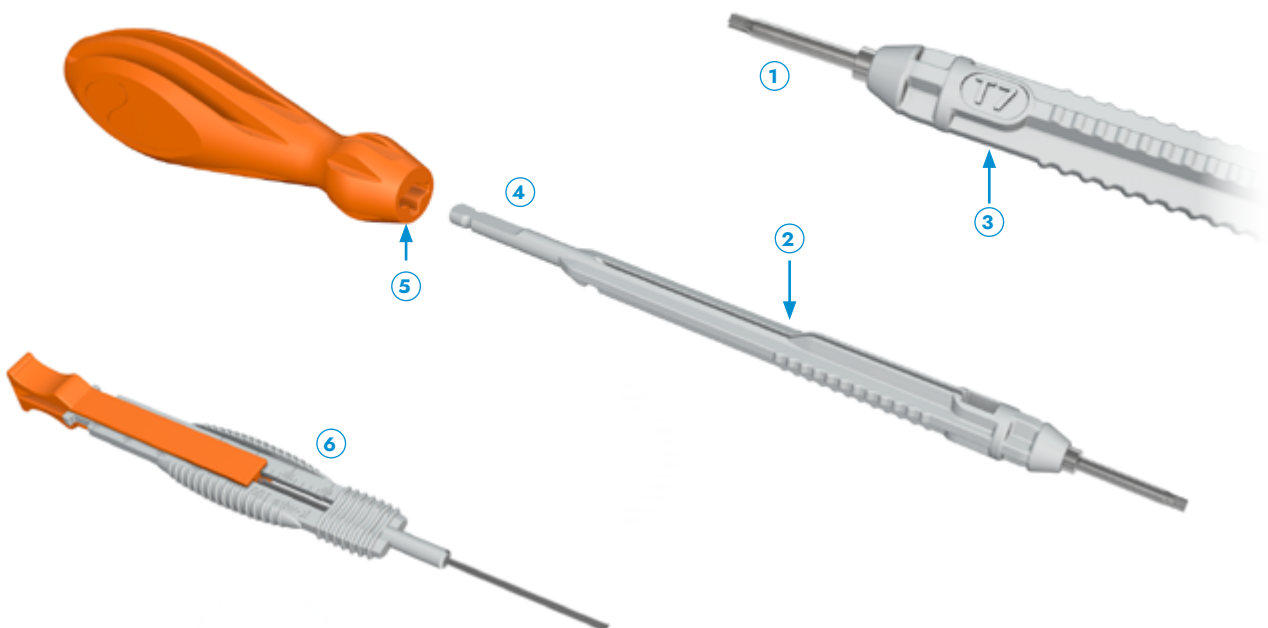
Torx imprint is indicated directly on the axis. ③

Screwdriver axis can be used either with the handle or with a power drill equipped with an AO attachment. ④

Screwdriver axis is secured inside the handle with a locking mechanism, which T shape garantees proper positioning. ⑤

Implant can be measured either on k-wire or with the depth gauge ⑥ . The use of a depth gauge is optional.

For a complete description of all available Neosys® single use instrument sets, please refer to Neosys® dedicated brochure.



IMPLANTS

Innovative Bone Synthesis™ - Screw diam. 2.0 mm - Titanium Sterile

I.B.S.™ 2.0-C Compression screw	Length	I.B.S.™ 2.0-C Compression screw	Length	I.B.S.™ 2.0-C Compression screw	Length
S20 ST010	10mm	S20 ST017	17mm	S20 ST024	24mm
S20 ST011	11mm	S20 ST018	18mm	S20 ST025	25mm
S20 ST012	12mm	S20 ST019	19mm	S20 ST026	26mm
S20 ST013	13mm	S20 ST020	20mm	S20 ST027	27mm
S20 ST014	14mm	S20 ST021	21mm	S20 ST028	28mm
S20 ST015	15mm	S20 ST022	22mm	S20 ST029	29mm
S20 ST016	16mm	S20 ST023	23mm	S20 ST030	30mm

Odd lengths are only available in some countries

Innovative Bone Synthesis™ - Screw diam. 2.5 mm - Titanium Sterile

I.B.S.™ 2.5-C Compression screw	Length	I.B.S.™ 2.5-N Neutralization screw	I.B.S.™ 2.5-C Compression screw	Length	I.B.S.™ 2.5-N Neutralization screw
S25 ST010	10mm	-	S25 ST020	20mm	S25 ST220
S25 ST011	11mm	-	S25 ST022	22mm	S25 ST222
S25 ST012	12mm	S25 ST212	S25 ST024	24mm	S25 ST224
S25 ST014	14mm	S25 ST214	S25 ST026	26mm	S25 ST226
S25 ST016	16mm	S25 ST216	S25 ST028	28mm	S25 ST228
S25 ST018	18mm	S25 ST218			

Innovative Bone Synthesis™ - Screw diam. 3.0 mm - Titanium Sterile

I.B.S.™ 3.0-C Compression screw	Length	I.B.S.™ 3.0-N Neutralization screw	I.B.S.™ 3.0-C Compression screw	Length	I.B.S.™ 3.0-N Neutralization screw
S30 ST112	12mm	S30 ST212	S30 ST126	26mm	S30 ST226
S30 ST114	14mm	S30 ST214	S30 ST128	28mm	S30 ST228
S30 ST116	16mm	S30 ST216	S30 ST130	30mm	S30 ST230
S30 ST118	18mm	S30 ST218	S30 ST132	32mm	S30 ST232
S30 ST120	20mm	S30 ST220	S30 ST134	34mm	S30 ST234
S30 ST122	22mm	S30 ST222			
S30 ST124	24mm	S30 ST224			

Innovative Bone Synthesis™ - Screw diam. 3.5 mm - Titanium Sterile

I.B.S.™ 3.5-C Compression screw	Length	I.B.S.™ 3.5-N Neutralization screw	I.B.S.™ 3.5-C Compression screw	Length	I.B.S.™ 3.5-N Neutralization screw
S35 ST116	16mm	S35 ST216	S35 ST130	30mm	S35 ST230
S35 ST118	18mm	S35 ST218	S35 ST132	32mm	S35 ST232
S35 ST120	20mm	S35 ST220	S35 ST134	34mm	S35 ST234
S35 ST122	22mm	S35 ST222	S35 ST136	36mm	S35 ST236
S35 ST124	24mm	S35 ST224	S35 ST138	38mm	S35 ST238
S35 ST126	26mm	S35 ST226	S35 ST140	40mm	S35 ST240
S35 ST128	28mm	S35 ST228			

INSTRUMENTS

NEOSYS® - Single use instrument set range

The Neosys® Single Use Instrument Set is available in different configurations according to surgeon's technics and preferences.

Please refer to the dedicated brochure for more information.

2in1 drills

2in1 drills are available individually packed or directly inside some of the Neosys® Single Use instrument set configuration. Please refer to the dedicated brochure for more information.



2in1 Drill - Total length 65mm - AO connexion

G01 00721	Diam. 2.2mm / Lg 22mm	Cannulated	Sterile
G01 00731	Diam. 2.2mm / Lg 32mm	Cannulated	Sterile
G01 01351	Diam. 1.6mm / Lg 18mm	Cannulated	Sterile
G01 01361	Diam. 1.6mm / Lg 26mm	Cannulated	Sterile



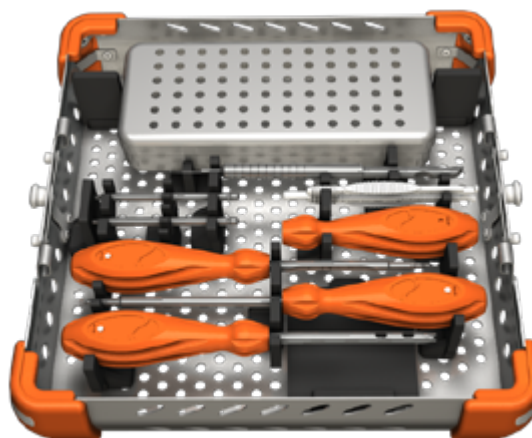
2in1 Drill - Total length 75mm - AO connexion

G01 00781	Diam. 2.2mm / Lg 22mm	Not Cannulated	Sterile
G01 00801	Diam. 2.2mm / Lg 32mm	Not Cannulated	Sterile
G01 01371	Diam. 1.6mm / Lg 18mm	Not Cannulated	Sterile
G01 01381	Diam. 1.6mm / Lg 26mm	Not Cannulated	Sterile



NEOSYS® - Reusable instrument set

G01 00881	Orange Modular Handle Small Size
G01 01661	Mesurer 10-60mm
G01 01671	Depth gauge 10-60mm
G01 00852	Torx T7 graduated screwdriver
G01 00862	Torx T8 graduated screwdriver
G01 00891	Injected Ruler For K-wire 70 & 100mm
G01 00201	Cannulated Torx 7 attachment screwdriver
G01 00241	Cannulated Torx 8 attachment screwdriver
G01 00921	K-wire Holder 70 and 100mm Diam 0.8mm - 1.0mm - 2.5mm
K10 NS070	Kirschner wire non sterile Diam 0.8mm length 70mm 1 sharp end
K10 NS071	Kirschner wire non sterile Diam 1.0mm length 70mm 1 sharp end
K10 NS100	Kirschner wire non sterile Diam 1.0mm length 100mm 1 sharp end
G01 01341	Pilot Hole Starter Drill



DESCRIPTION OF THE MEDICAL DEVICE

The I.B.S.™ screws are: osteosynthesis bone screws, existing in different models, diameters and lengths
The Implants are manufactured in: titanium alloy in accordance with the standard NF ISO 5832-3 and ASTM F136
These medical devices are sold sterile.
Elements sterilized using irradiation have been exposed to a minimum of 25kGy of gamma irradiation.
These devices do not contain phthalates unless this is indicated on the label.

INDICATIONS

The I.B.S.™ compression and neutralization osteosynthesis screws are intended for:

- The fixation of arthrodesis, osteotomies or fractures of long or short bones of the upper and lower limbs
- Osteosynthesis requiring a mono or bicortical compression

The size of the chosen screw should be adapted to the specific indications.

CONTRA-INDICATIONS

The implant should not be used in a patient who has currently, or who has history of:

- systemic, acute or chronic inflammations, ,
- active infections,
- sensitivity/allergies to the implant materials.

RECOMMANDATION

It is recommended to carefully read the instructions for use available in the package insert.

REIMBURSEMENT

Reimbursement may vary from countries to countries. Check with local authorities.

CE MARKED MEDICAL DEVICE

This medical device is a regulated health product, holding under this regulation, the CE mark.

EC Directive MDD 93/42/EC :

- Implants : Class IIb - CE2797
- Single use instrumentation and instruments connected to a power driver: Class IIa - CE2797 : Class IIa - CE2797

EC Regulation 2017/745/EC :

- Invasive reusable surgical instruments : Class Ir - CE2797
- Instrument with measuring function : Class Im - CE2797
- Other instruments : Class I - CE

MANUFACTURER

In2Bones SAS
28, chemin du Petit Bois
69130 Ecully – FRANCE
Tél : +33 (0)4 72 29 26 26
Fax : +33 (0)4 72 29 26 29

DOCUMENT

Reference : BR-DIG-IBSCN-EN-102023

Availability of these products might vary from a given country or region to another, as a result of specific local regulatory approval or clearance requirements for sale in such country or region.

Always refer to the appropriate instructions for use for complete clinical instructions.

Non contractual document. The manufacturer reserves the right, without prior notice, to modify the products in order to improve their quality.

WARNING: Applicable laws restrict these products to sale by or on the order of a physician.

International Office

In2Bones SAS · 28, chemin du Petit Bois · 69130 Ecully · FRANCE
+33 (0)4 72 29 26 26 · contact@in2bones.com

Corporate Headquarters

In2Bones Global, Inc. · In2Bones USA · Memphis, TN · USA
+1 844. 602. 6637 · Info@i2b-USA.com